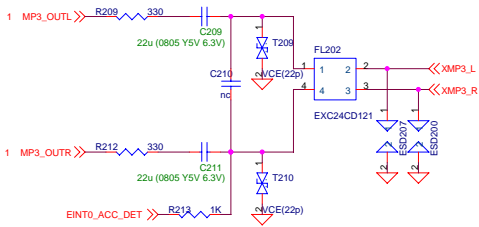
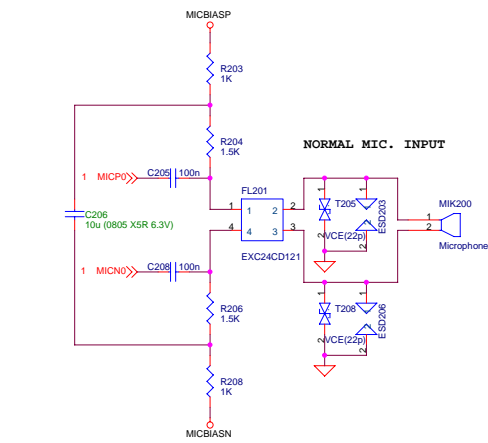
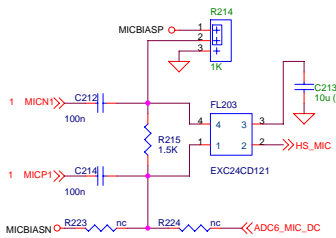


MT6228 DEMO PHONE
Title: MT6228
Size: A3
Date: Monday, December 12, 2005
Document Number: VER 1.0
Sheet: 1 of 1

upload... www.mydigit.net



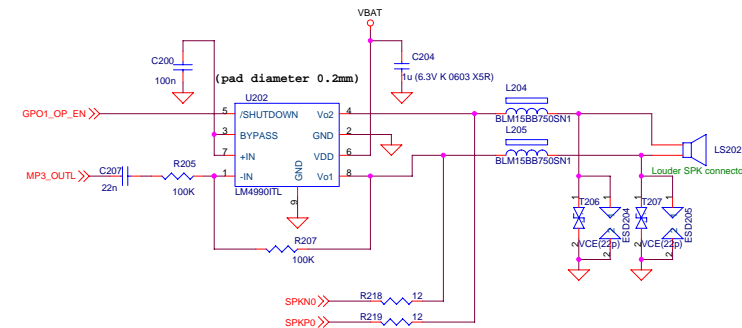
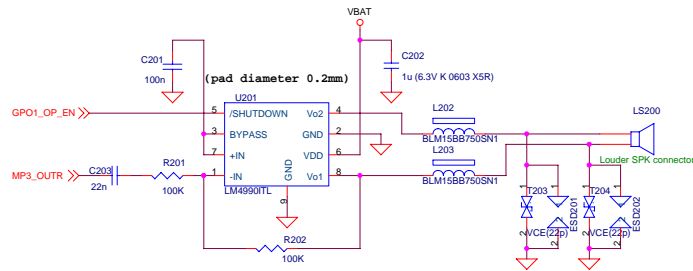
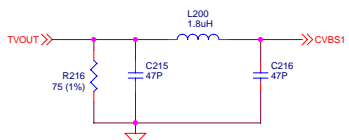
HEADSET / DIGITAL AUDIO



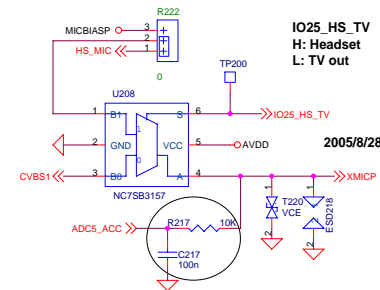
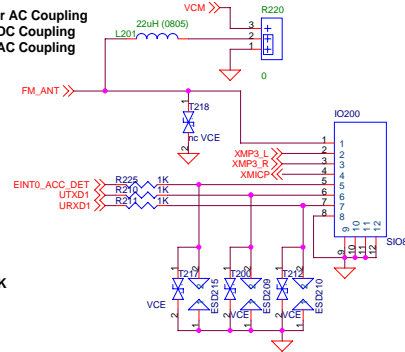
DC or AC Coupling
@AC Coupling (default)
 [HW PIN: 1, 2, 3, 4]
 R220: 1-2, R222: 1-2, R223,R224=nc, FL203=EXC24CD121, C213=10u, R213=1K

@DC Coupling
 [HW PIN: 1, 2, 3, 4, 5, 8]
 R220: 2-3, R222: 2-3, R223=R225=0, FL203, C213=nc, R213=nc

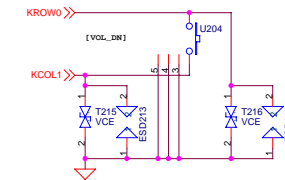
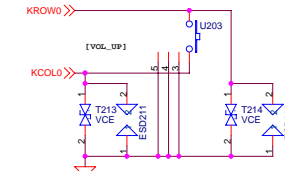
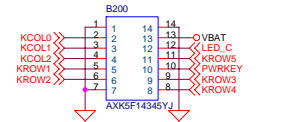
TV OUT VIEDO I/F



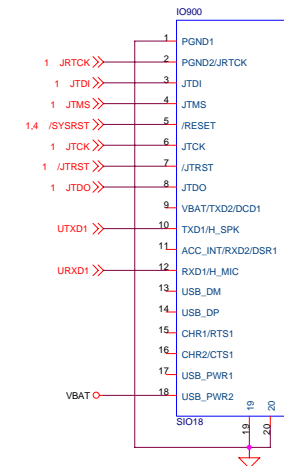
DC or AC Coupling
 2-3: DC Coupling
 1-2: AC Coupling



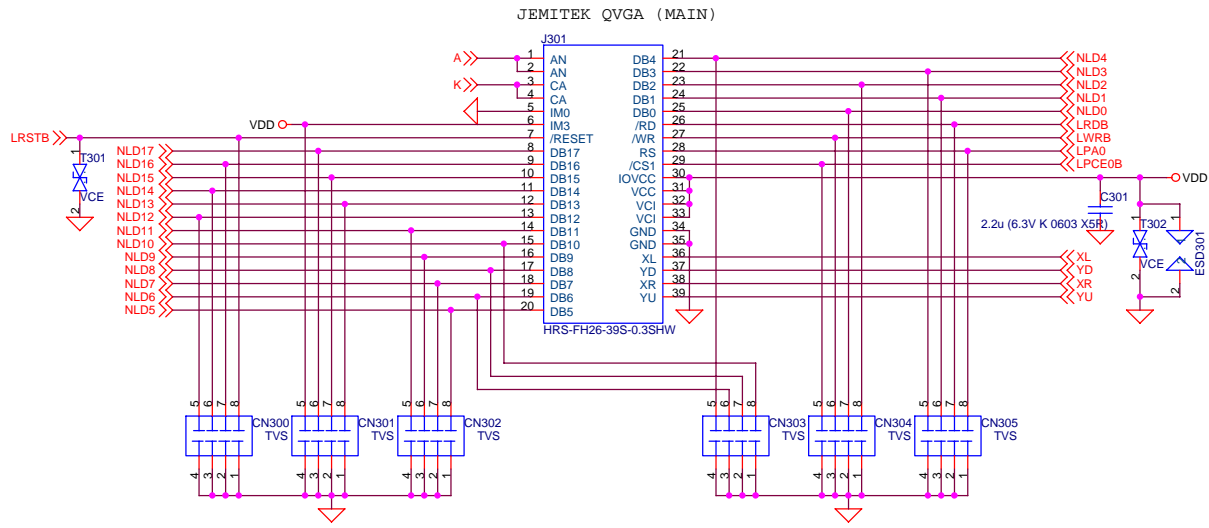
KEYPAD DTB CONN



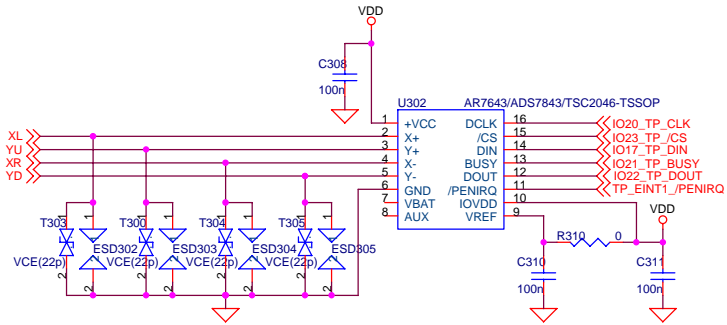
JTAG INTERFACE



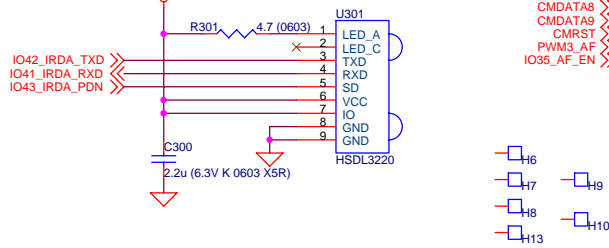
MT6228 DEMO PHONE		
Title	Audio, Keypad, TV out	
Size	Document Number	Rev
A3	VER 1.0	
Date:	Monday, December 12, 2005	Sheet 1 of 1



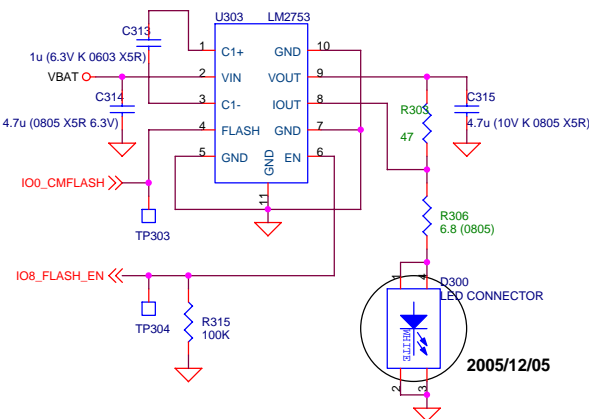
Touch Panel Controller



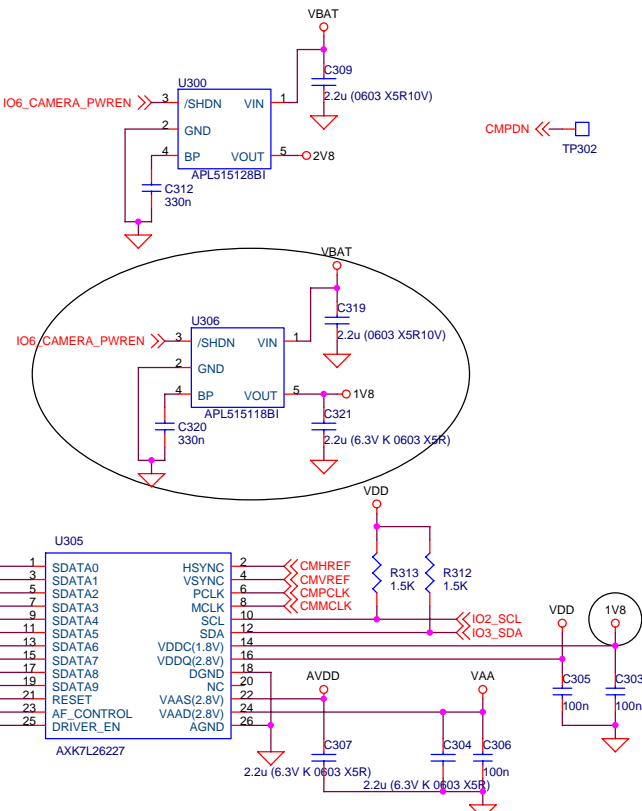
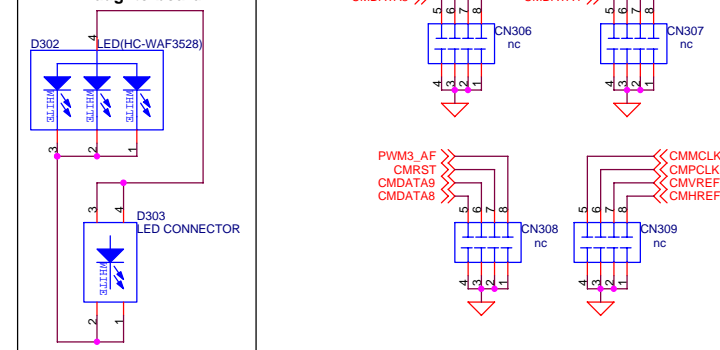
IrDA



Flash Light



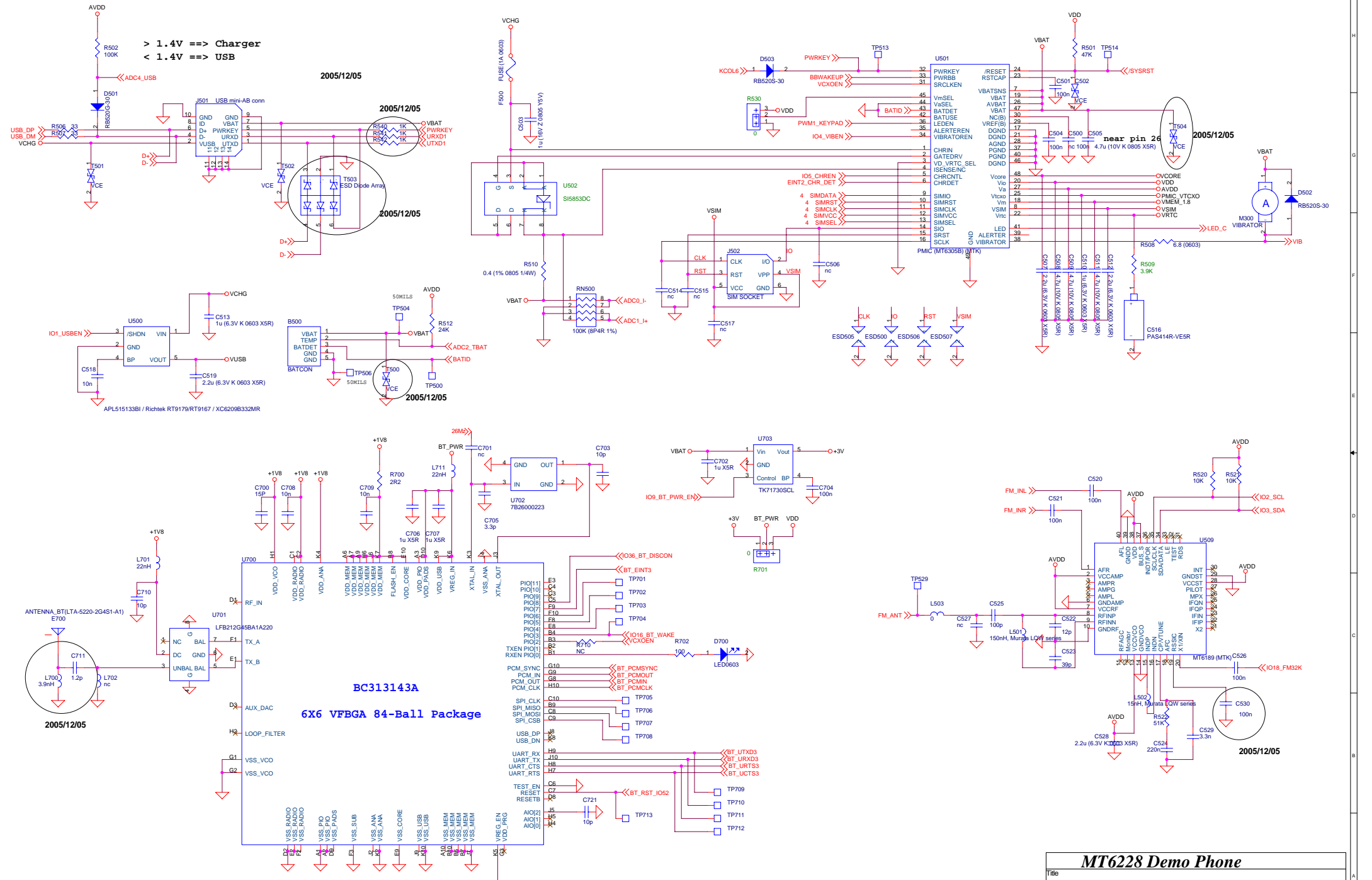
2005/12/05 LED Daughterboard



LT1937: R309 = 95mV / ILED=4.7 ohm
 MP1518: R309 = 10.4mV / ILED=5.1 ohm

upload... www.mydigit.net

MT6228 DEMO PHONE			
Title	Camera, LCD, Flashlight, IRDA, Touch Panel		
Size	A3	Document Number	VER 1.0
Date:	Monday, December 12, 2005	Sheet	1 of 1



2005/12/05

2005/12/05

2005/12/05

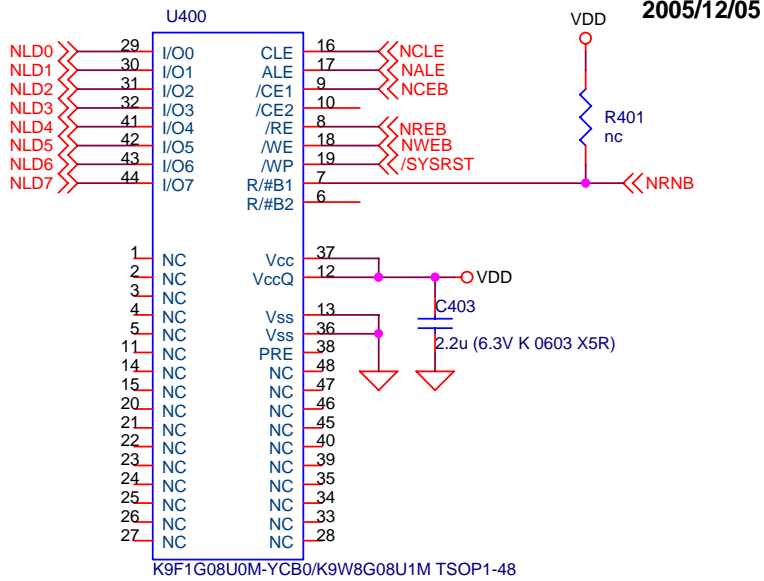
2005/12/05

2005/12/05

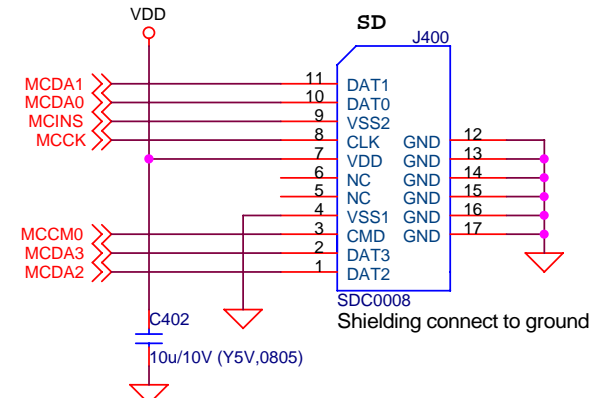
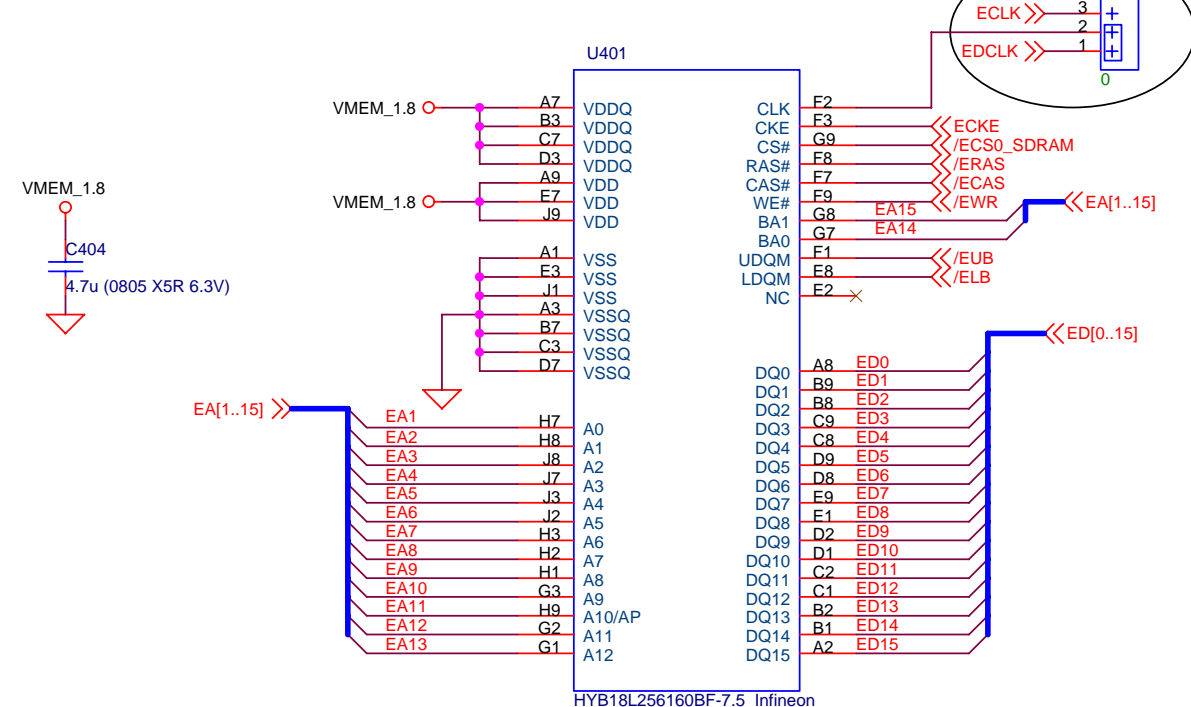
2005/12/05

MT6228 Demo Phone		
Title	POWER, USB, Bluetooth, FM	
Size	Document Number	Rev
A3	VER 1.0	
Date:	Monday, December 12, 2005	Sheet 1 of 6

SAMSUNG1024MB NAND FLASH

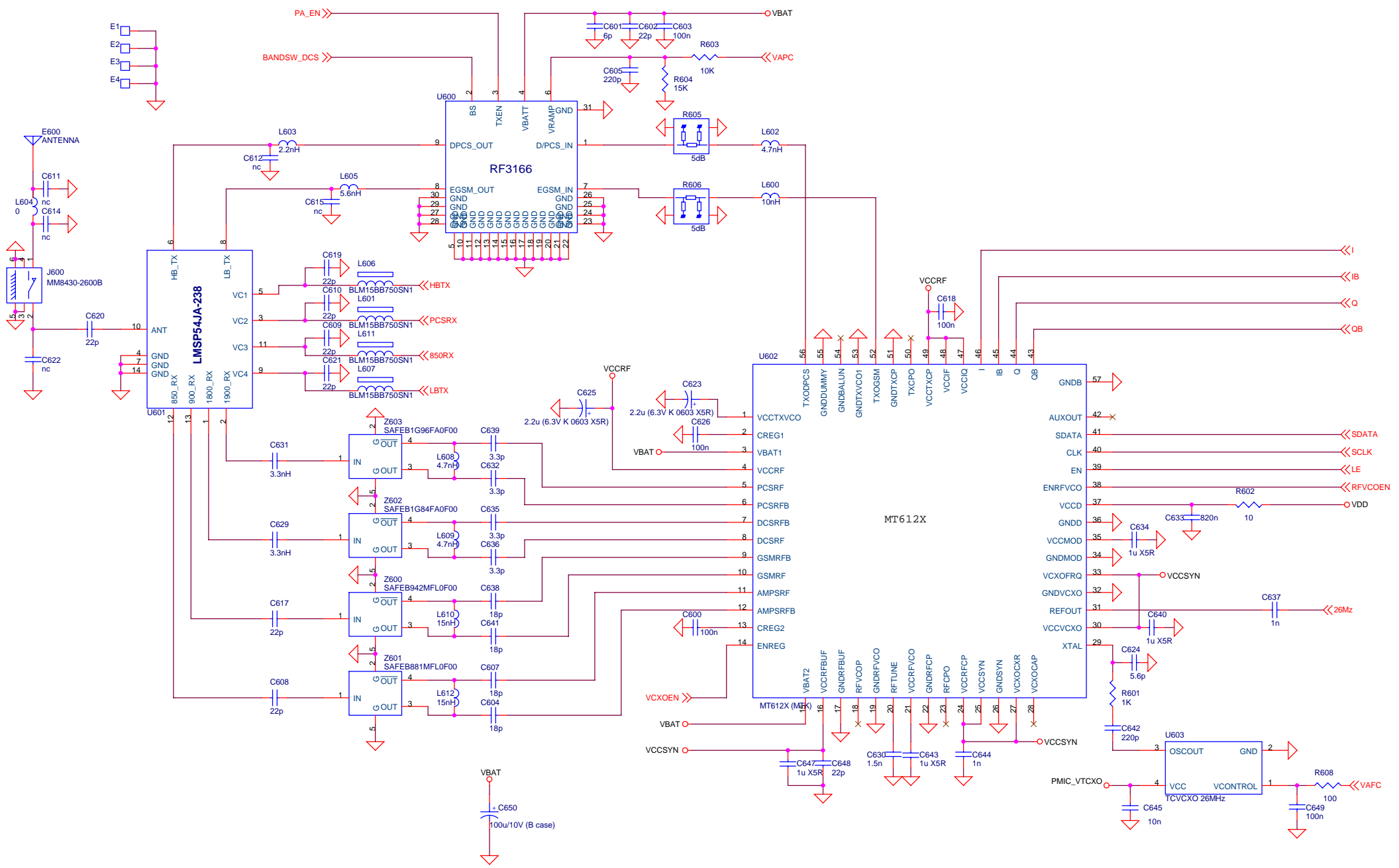


SAMSUNG NAND FLASH TSOP1 48 Pin (20x12mm)



upload... www.mydigit.net

MT6228 DEMO PHONE		
Title		
Memory		
Size A4	Document Number VER 1.0	Rev
Date:	Monday, December 12, 2005	Sheet 1 of 1



Title		
Sapphire		
Size	Document Number	Rev
A3	MT6129C RF + RFMD3166 PA + 54JA-238	1.00
Date:	Monday, December 12, 2005	Sheet 1 of 6

upload... www.mydigit.net